

# HERITAGE

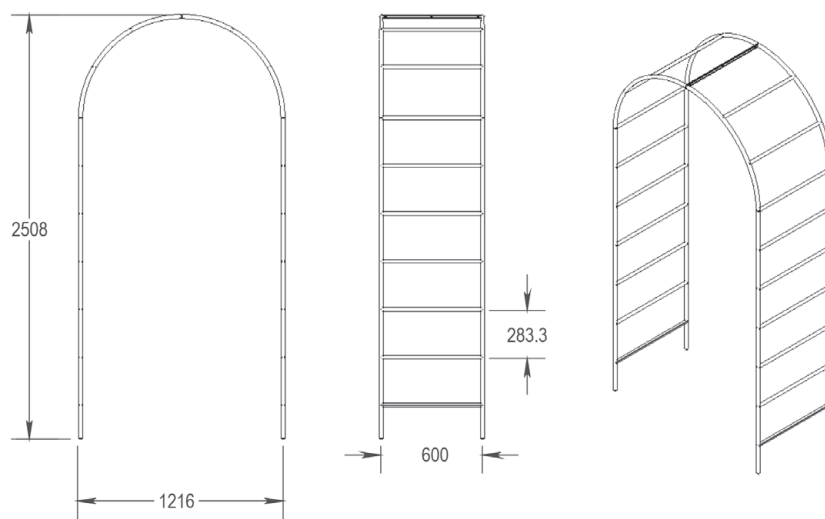
## GARDEN ARCHES

HANDCRAFTED IN NEW ZEALAND

Heritage Arches, by Terrascape, are an elegant addition to your garden. Hand-crafted in New Zealand from solid steel rod, these arches are strong and durable to enable support for any climbing plant, be it Clematis, Rose or Wisteria. Optional extras give you the ability to increase the width of your arch by 600mm or 900mm, or you can join several together in a length with Connectors to create a dramatic tunnel. Our arches can be installed into soil, with the option of anchoring pegs for high wind areas, or onto hard surfaces with our Foot Plates. Contact us for more information!



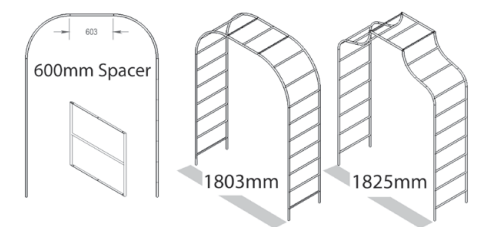
**Classic Round Arch** Product no. 02074



### Arch Accessories

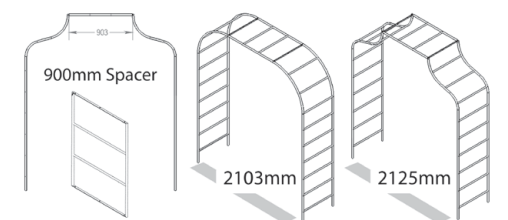
#### 600mm Extension

Prod. no. 02170

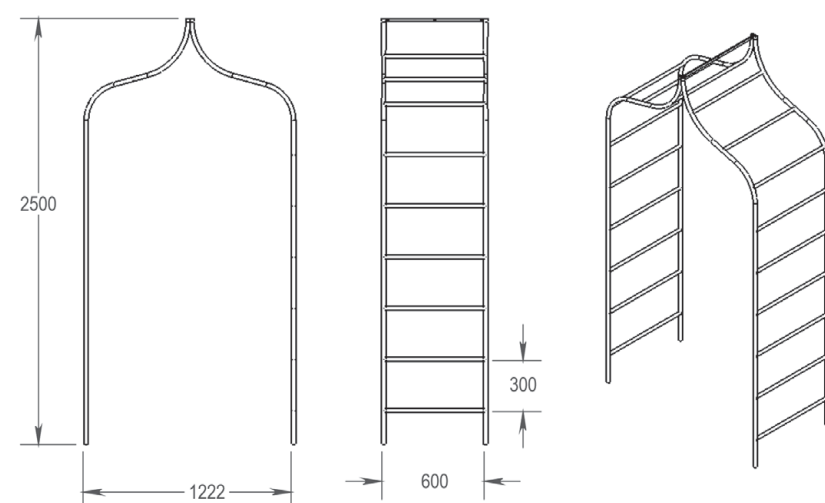


#### 900mm Extension

Prod. no. 02179



**Gothic Arch** Product no. 02075



#### Connectors

Prod. no. 02169

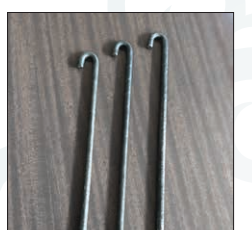


#### Foot Plates

Prod. no. 02124

#### Pegs

Prod. no. 02068





# HERITAGE

## GARDEN ARCHES

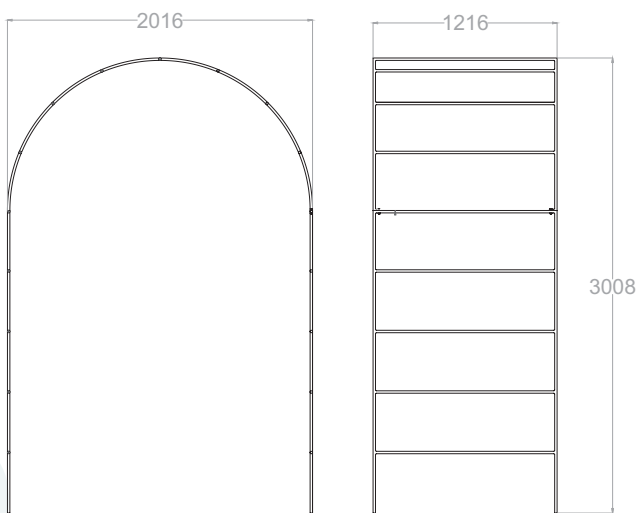
HANDCRAFTED IN NEW ZEALAND

### Heritage Estate Arches

Our majestic Estate Arch standing 3 m tall, 2 m wide and 1.2 m deep will create an impressive vertical structure in your landscape. Fully constructed from 16 mm solid steel rod, each of these weighs a substantial 60 kg! Use as a single archway, or join several together using our clever arch connectors to form fabulous tunnels suitable for Wisteria, Laburnum, Roses or even Hops as seen below.



Five Estate Arches joined together.



Product no. 03000

